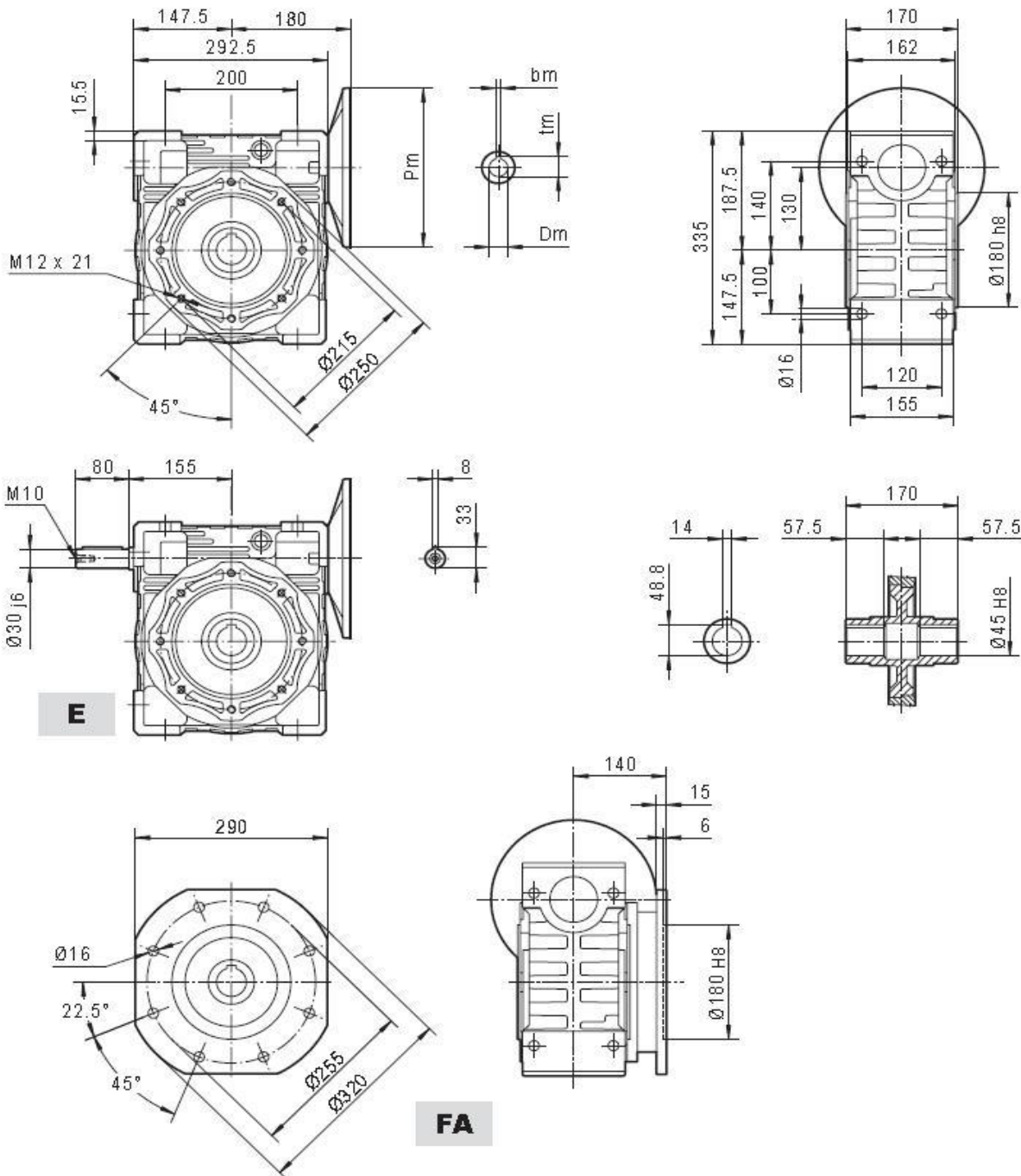




# Worm Gear Units TCNDK130



PAM IEC	$P_m$	$D_m$	$b_m$	$t_m$
132B5	300	38	10	41.3
100/112B5	250	28	8	31.3
90B5	200	24	8	27.3
100/112B14	160	28	8	31.3

Weight without motor = 48 Kg